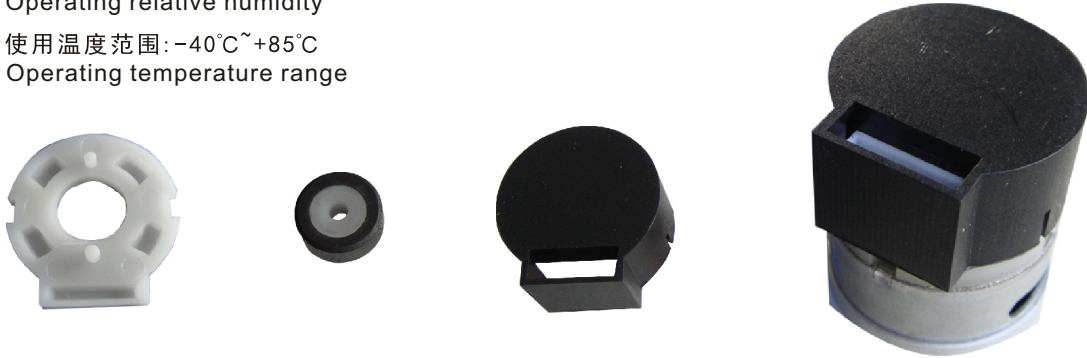


# (Encoders) ME-28

## ENCODERS MAGNETIC SERIES



- 双向霍尔作用译码器  
Two Channel Hall Effect Encoder
- ★ 使用相对湿度: 20%~85%RH  
Operating relative humidity
- ★ 使用温度范围: -40°C~+85°C  
Operating temperature range



### 外形尺寸图/Appearance size

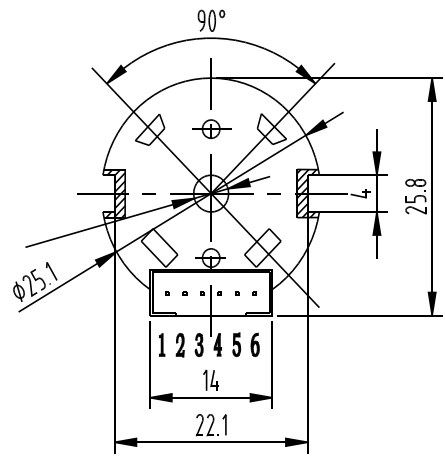


接口:  
JST PHR-6  
P=2.0-6P

Two Channel Encoder  
Connections :

1. MOTOR-
2. MOTOR+
3. HALL SENSOR Vcc
4. HALL SENSOR GND
5. HALL SENSOR A Vout
6. HALL SENSOR B Vout

- \*此译码器主要安装在RS-385、395电机上.
- \*The encoder mainly install on the Motor of RS-385、395
- \*每周输出3PPR, 7PPR,
- \*Each turn output 3PPR,7PPR,

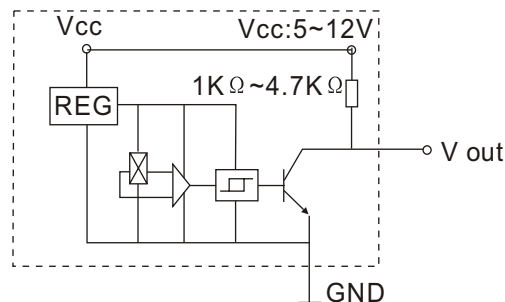


### ELECTRICAL CHARACTERISTICS

At  $V_s=4.5V$  to  $24V$  with  $20mA$  load with  $T_a=-40^{\circ}C$  to  $125^{\circ}C$  [ $-40^{\circ}F$  to  $257^{\circ}F$ ] unless otherwise noted.

规格特性 CHARACTERISTICS	代号 SYMBOL	测试条件 TEST CONDITIONS	极小 MIN	基本 REF	最大 MAX	UNITS
输入电压 Supply Voltage	Vcc	---	4.5	--	24	V
输入电流 Supply Current	I <sub>cc</sub>	---	--	14	20	mA
输出电流 Output Current	I <sub>c</sub>	V <sub>ce</sub> =12V; Gauss<-170	--	<0.1	20	mA
输出漏电流 Output Leakage Current	I <sub>cex</sub>	Output open; 25°C [77°F]	--	--	10	μA
输出上升时间 Output Rise Time	T <sub>r</sub>	R <sub>L</sub> =820Ω; C <sub>L</sub> =20pF; 25°C	--	0.5	1.5	μS
输出下降时间 Output Fall Time	T <sub>f</sub>	R <sub>L</sub> =820Ω; C <sub>L</sub> =20pF; 25°C	--	0.2	1.5	μS

### 输出电路 Output Circuit



### 输出波形 Output Wave

